



TEND commercial seating range

Composition: MDF substrates, medium density commercial grade foam, Oak dowel legs, melamine or plywood tops

Height: 450mm seat height, 750 and 950 mm over all

Origin: Australia, WA

Lead time: 6-8 weeks

FINISH OPTIONS:

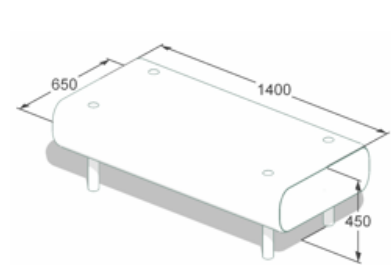
Cost effective: Laminex core commercial melamine range top with \$50 p/l/m upholstery to specification, natural oak legs

Mid-range: Polytec Ravine or Woodmatt range top with \$80 p/l/m upholstery to specification, natural oak legs

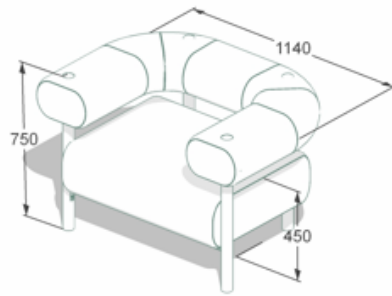
Premium: Plywood or veneer tops Painted MDF or plywood with \$150 p/l/m upholstery to specification, stained oak legs

Product tear sheet

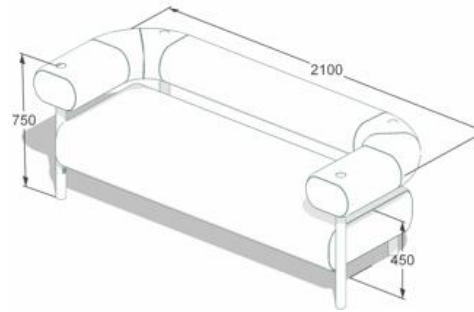
TEND_ottoman



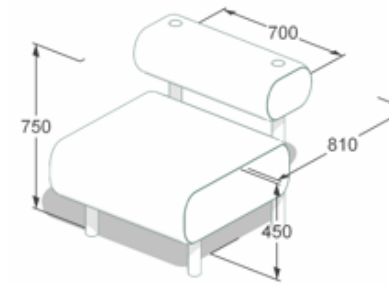
TEND_armchair



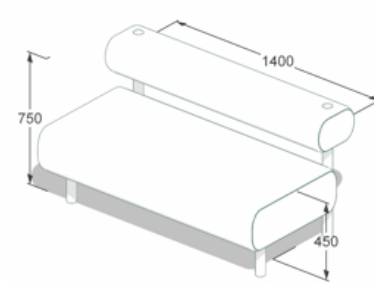
TEND_lounge



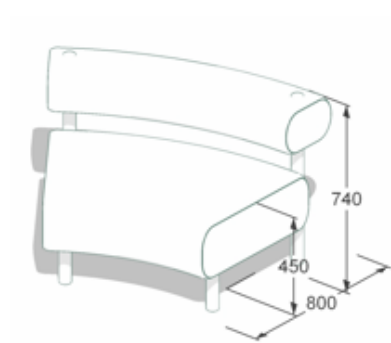
TEND_single seater



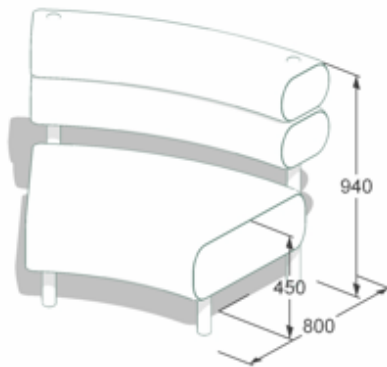
TEND_double seater



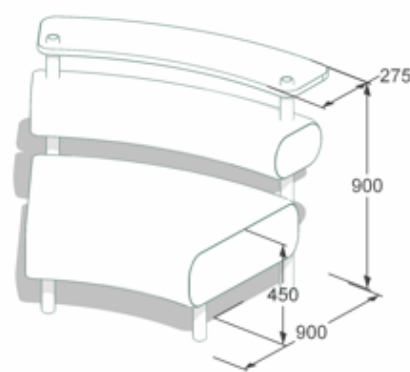
TEND_curved



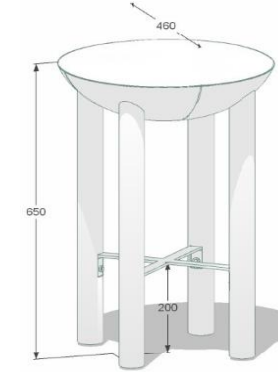
TEND_curved high back



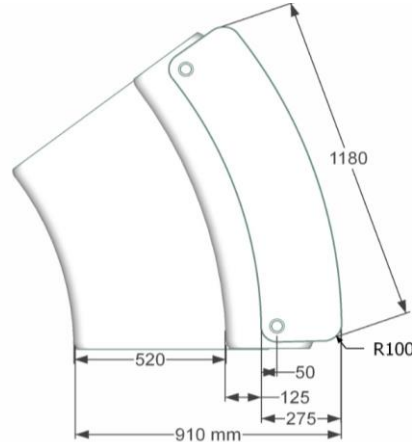
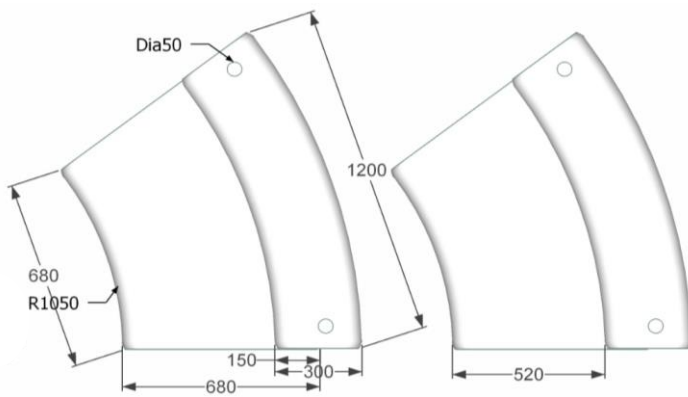
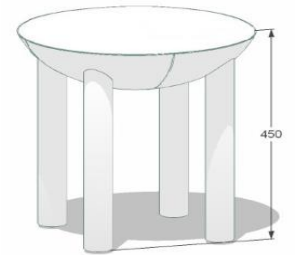
TEND_curved with ledge



TEND_counter stool



TEND_stool



Product tear sheet

