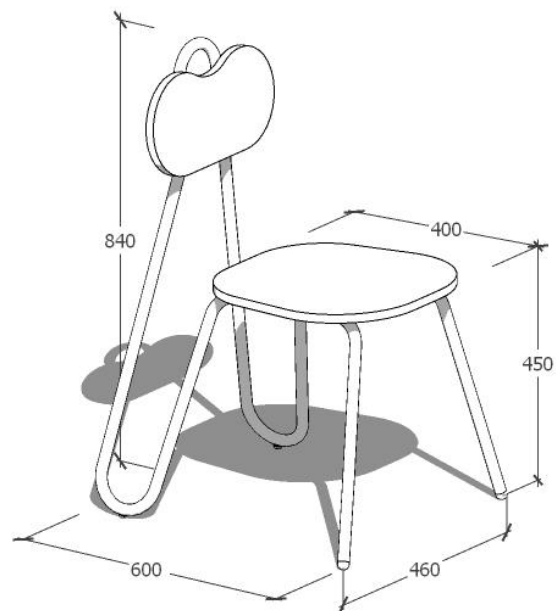


Product tear sheet

SUMMERDAY chair. Lead time: 4-6 weeks. Origin: NSW, WA.

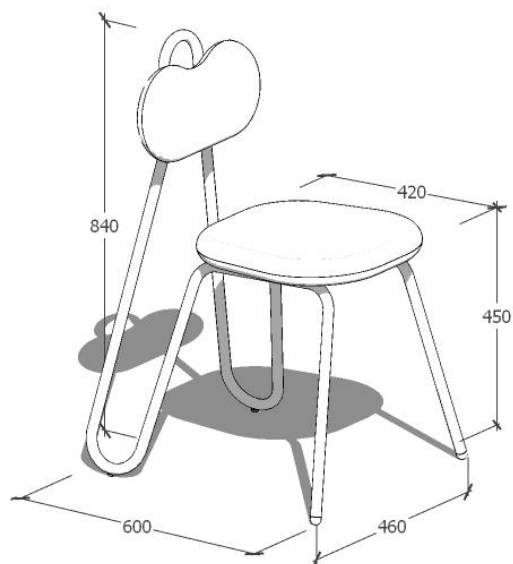


Product tear sheet



SUMMERDAY_HDPE
600D x 460W @ 450/850H
Rolled 18mm dia mild steel tube base with 18mm thick recycled HDPE slab back rest and seat
Black nylon floor glides

Seat and back rest:
HDPE black with white speckle, white with black speckle and Jungle Board – a lucky dip of primary and tertiary colours <https://www.defydesign.org/defy-rp-panels>
Colour and swirl will vary.
Base: Dulux or Interpon standard stocked colours



SUMMERDAY_SOFT
600D x 460W @ 450/850H
Rolled 18mm dia mild steel tube base with upholstered commercial grade foam seat pad and back rest
Black nylon floor glides

Seat and back rest:
As specified by client or Kvadrat Arda range upholstery
Base: Dulux or Interpon standard stocked colours

