

# Product tear sheet

## OBLONG workstation and table base system - stock option

Height: 720 and 1000mm with 25mm thick top

Lead time: 2-3 weeks

Origin: Taiwan

Finish: Paperbark or Iron satin powder coat, with Iron colour powder coated beams

## OBLONG workstation and table base system - MTO

Height: 720 and 1000mm with 25mm thick top

Lead time: 4-6 weeks

Origin: NSW

Finish: Interpon or Dulux stocked powder coat colours





# Product tear sheet

**OBLONG legs - stock:**  
Colour and configuration:

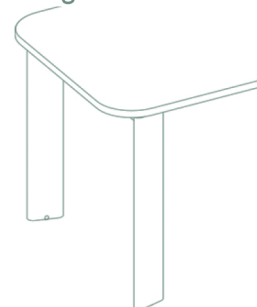
IRON



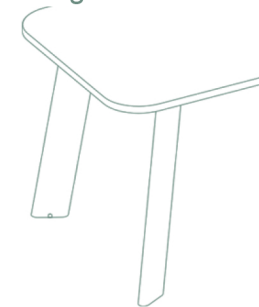
PAPERBARK



15° leg rotation



30° leg rotation



## Componets:

OL-End-15:  
W1400 x H695 15° End Leg



OL-End-30:  
W1400 x H695 30° End Leg



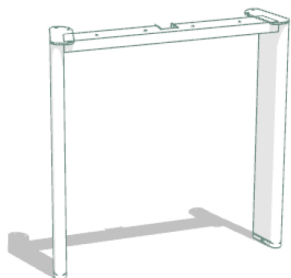
OM-End-15:  
W1000 x H695mm 15° End Leg



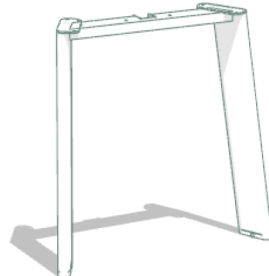
OM-End-30:  
W1000 x H695 30° End Leg



OS-End-15:  
W700 x H695 15° End Leg



OS-End-30:  
W700 x H695 30° End Leg



OT-End-15:  
W345 x H695 15° End Leg

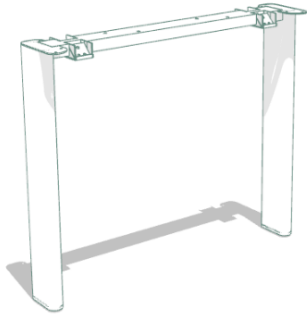


OT-End-30:  
W345 x H695mm 30° End Leg

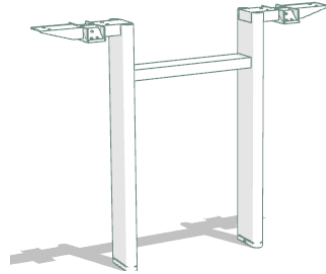


# Product tear sheet

OM-Mid:  
W840 Middle Leg



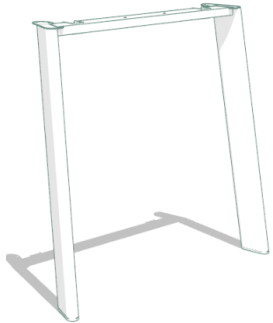
OM-BOX\_Mid:  
W840 Middle Leg with drop beam



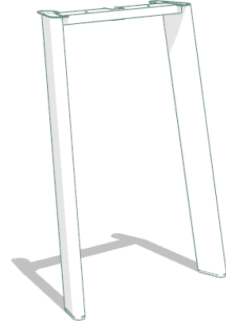
OS-Mid:  
W244 Middle Leg



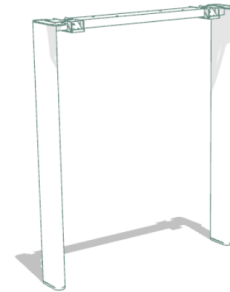
OMB-End-30:  
W1000 x H975 30° End Leg



OSB-End-30:  
W670 x H975 30° End Leg



OMB-Mid:  
W842 x H975 Middle Leg



OSB-Mid:  
W424 x H975 Middle Leg



O-Leg:  
H695 Single Leg



O-Leg-30:  
H695 30° Single Leg



OB-Leg-30:  
H975 30° Single Leg



# Product tear sheet

## HOOK beams - stock:

### ADJUSTABLE:

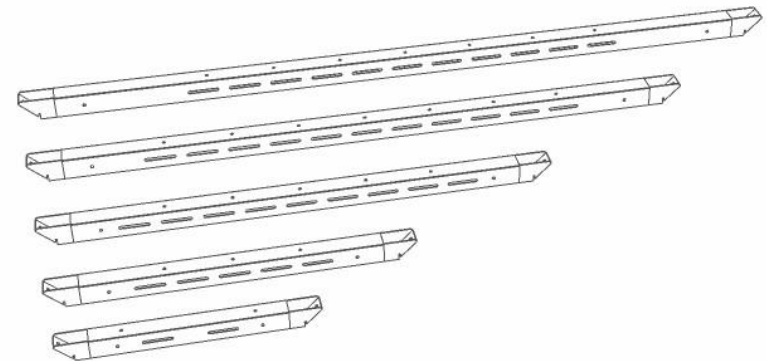
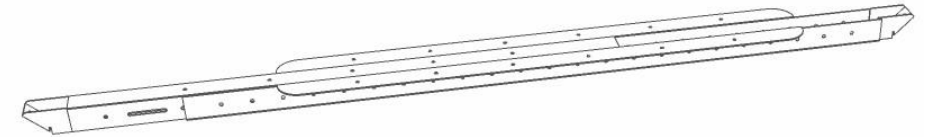
- 2400 - 1700 mm (1400 mm beam + 1200 sleeve)
- 1800 - 1400 mm (600 mm beam + 1200 sleeve)
- 1600 - 1200 mm (900 mm beam + 750 sleeve)
- 1300 - 1000 mm (600 mm beam + 750 sleeve)

Adjustability range as measured from centre of connected legs  
Suitable for top support and leg connection where length adjustability is required

### FIXED:

- 1570 mm
- 1370 mm
- 1070 mm
- 770 mm
- 570 mm

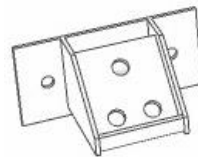
Length as measured from centre of connected legs  
Suitable for top support and leg connection where length adjustability is not required



## HOOK PLATE:

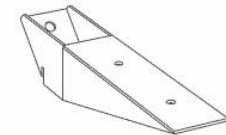
### HOOK\_P

Used to make T junction connection,  
For L shape desks or width decrease configurations  
as well as melamine storage integration



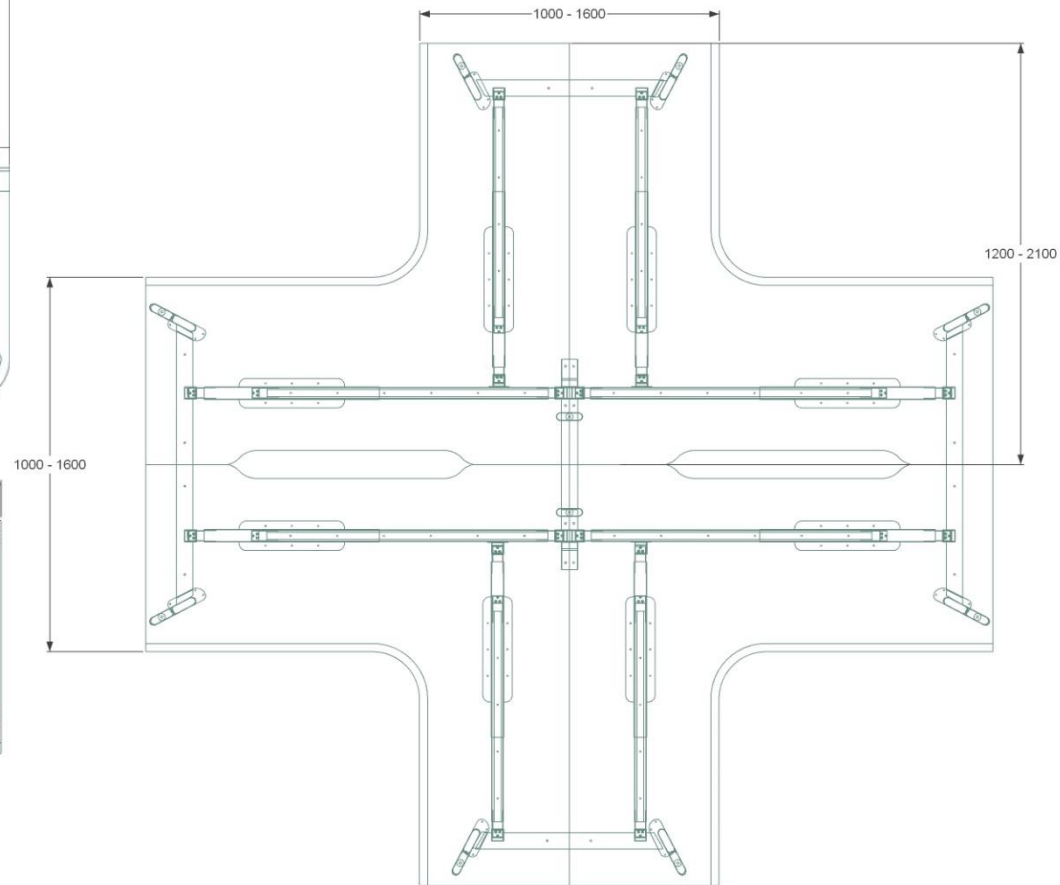
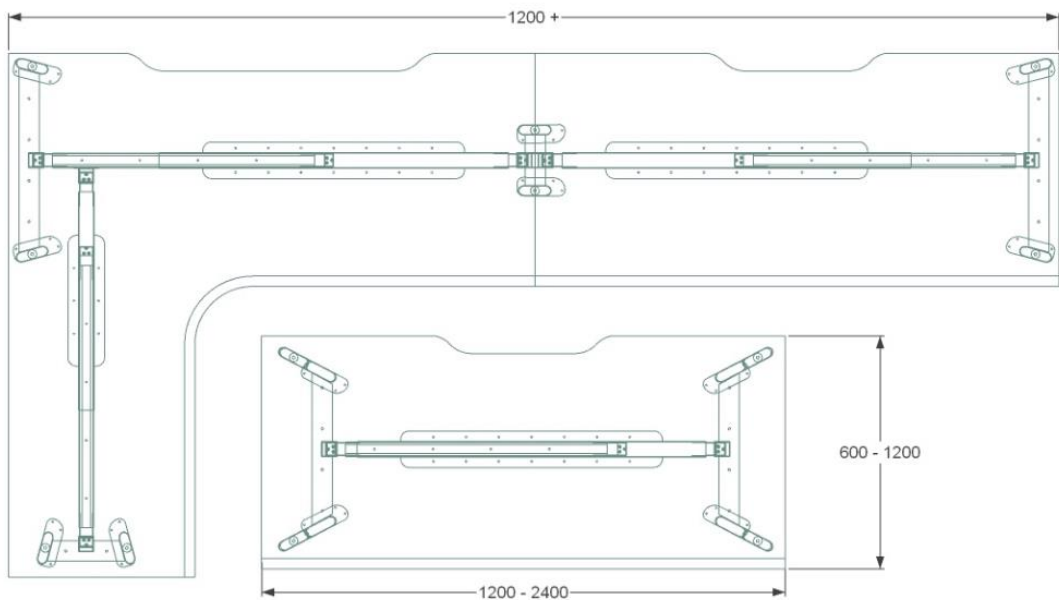
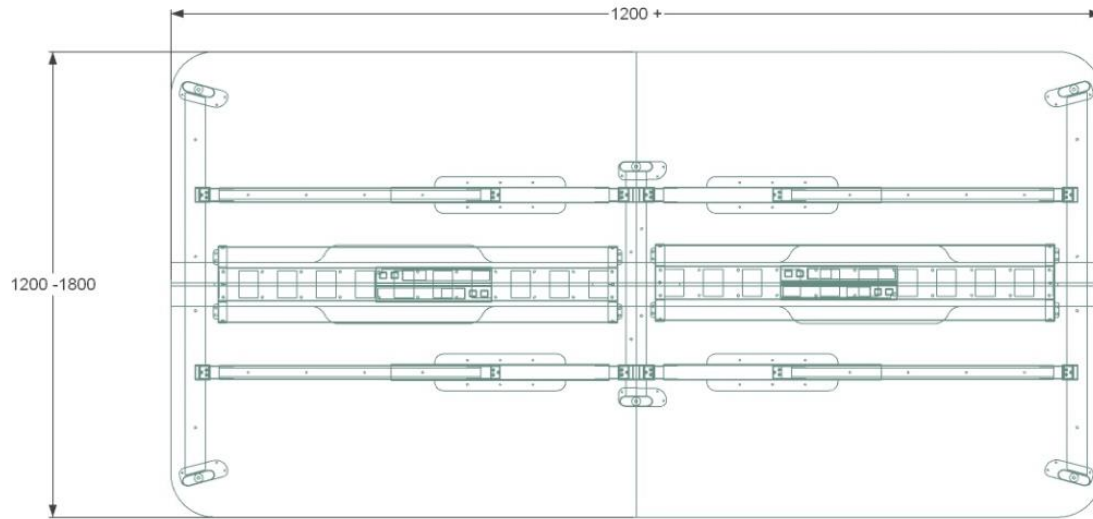
## HOOK HORN:

Creates extended support to top, where  
beam is not suitable

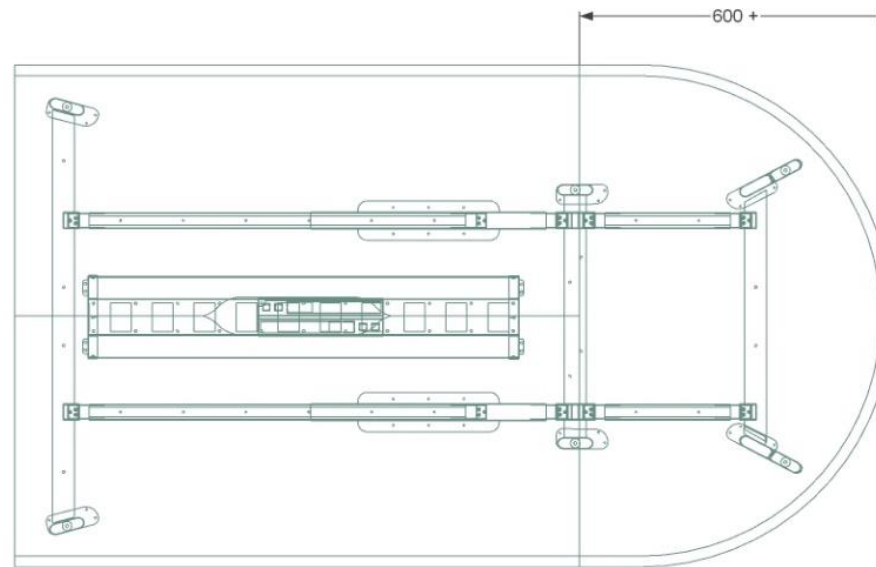
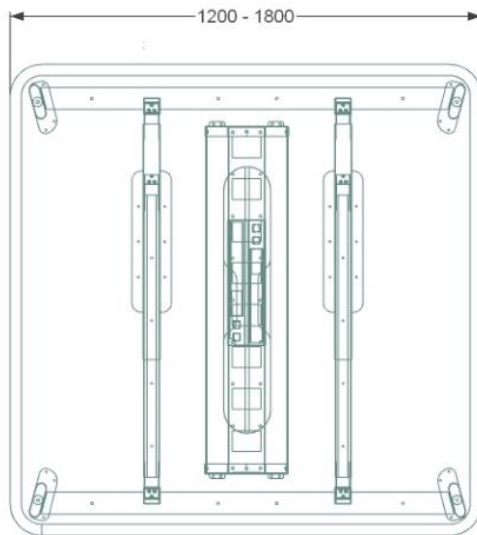
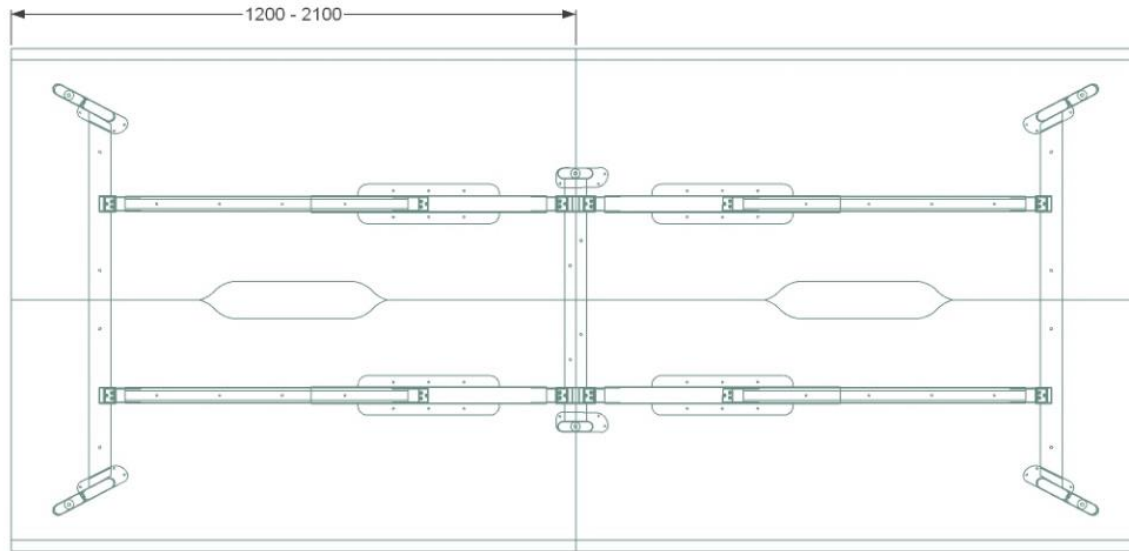


# Product tear sheet

## Standard workstation and table configuration examples



# Product tear sheet



# Product tear sheet

