

# Product tear sheet

## NOD reception & lounge seating

MTO only

Height: seat 440mm, 740mm over all

Lead time: 4-6 weeks

Origin: NSW

## CONSTRUCTION:

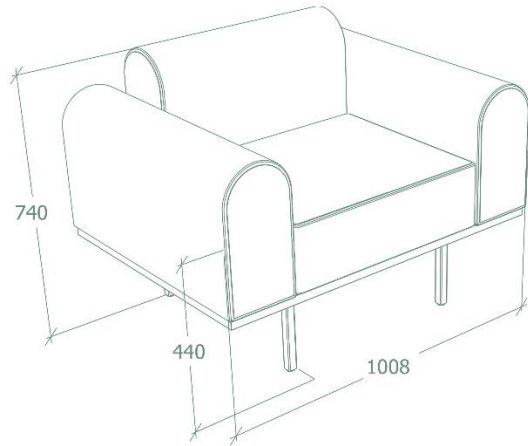
Mild steel legs with adjustable glides, powder coated white or black  
MDF sub structure with 200mm dia. half bolster arm rests and back,  
medium density commercial grade foam

Fully upholstered to specified fabric, with optional contrasting paneling  
Custom powder coated legs also available in Dulux or Interpon standard  
colors

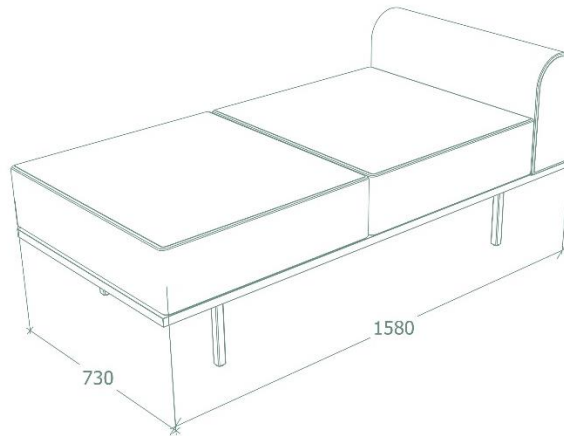


# Product tear sheet

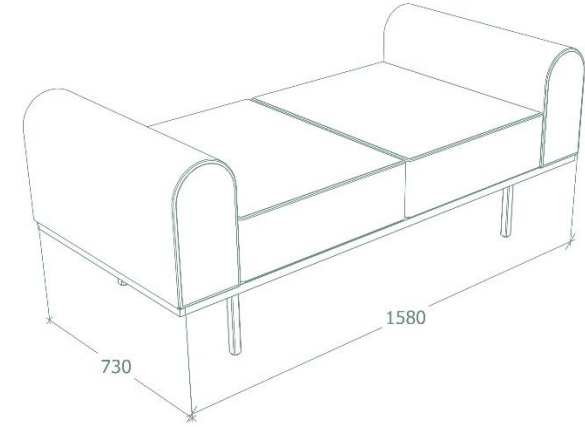
Single armchair



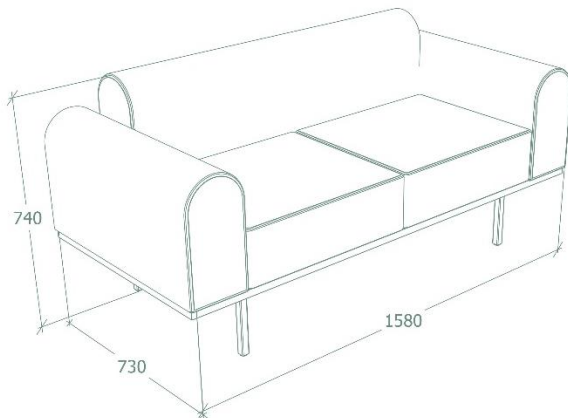
Chaise with arm rest



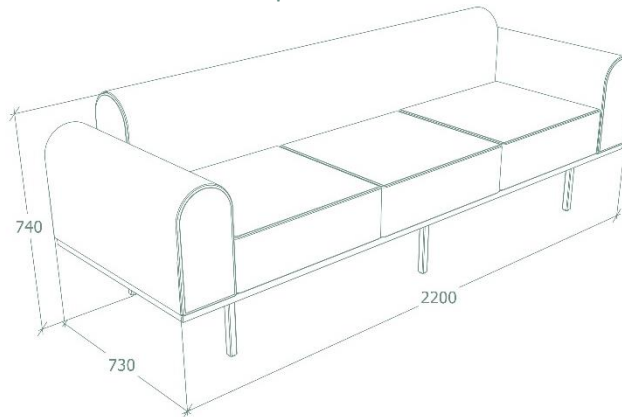
Chaise with arm rests



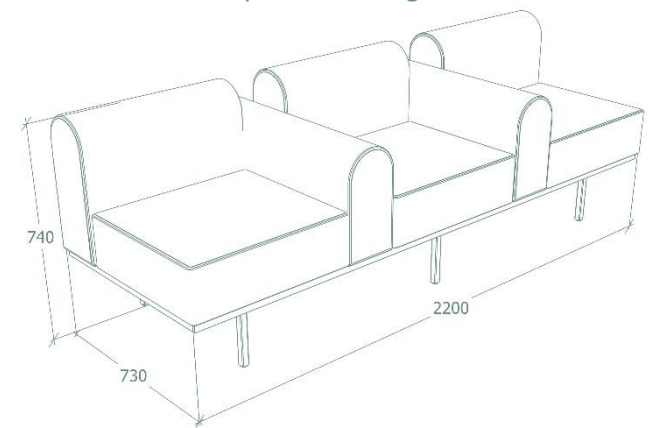
Double seater



Triple seater



Spectator lounge



# Product tear sheet

