

Product tear sheet

NEW LEAF loose leg table base system

Lead time: 4-5 weeks

Origin: NSW



Individual legs can be installed near very corners of the tabletop, where size permits, ensuring free movement of a user and their chair.

Call: [0410528300](tel:0410528300)

Visit: [380 Princess Highway, St. Peters, NSW 2044](https://www.klarodesign.com.au)

Email: alona@klarodesign.com.au



Product tear sheet

TOP FINISHES:

Cost effective: Laminex core commercial melamine range,

Mid range: Polytec Ravine or Woodmatt range,

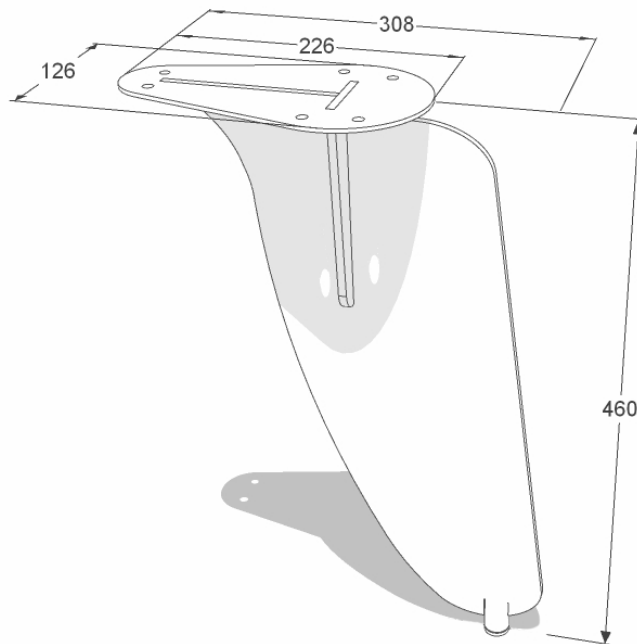
Premium: Extended Polytec or Laminex laminate ranges, Painted MDF or plywood with polyurethane finish, Plywood with Forbo Furniture Linoleum range top surface, Veneer ranges, with starburst grain configuration option.

BASE FINISH:

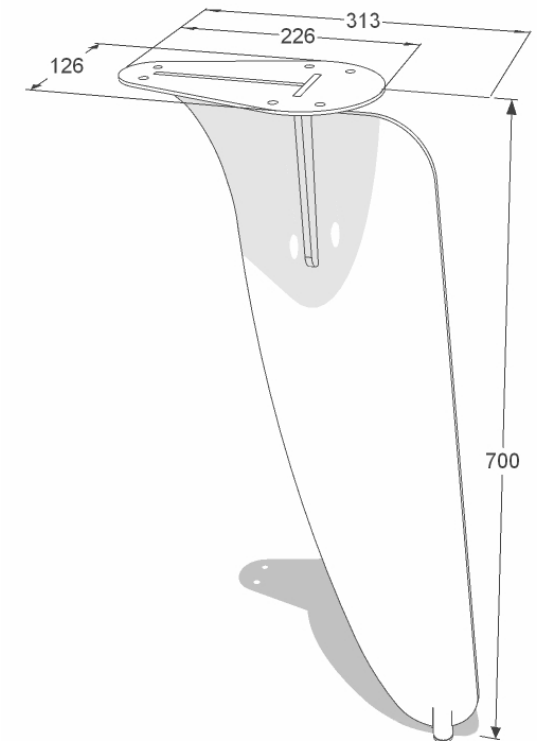
Dulux or Interpon standard powder coat ranges, black adjustable feet

Loose leg base construction has an advantage, where unconstrained by supporting beams, irregular shaped tops can be used.

Coffee tables are not limited to three or four legs: consider a multitude of, for out of this world look.



460mm leg



700mm leg



Product tear sheet

Top configurations, 33mm thick tops recommended for over 1500mm long options.

