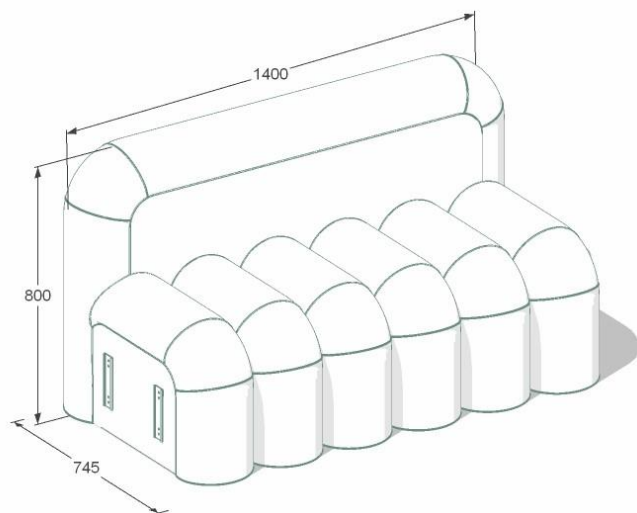


# Product tear sheet

DATUM modular seating collection. Lead time: 4-6 weeks. Origin: WA.



# Product tear sheet

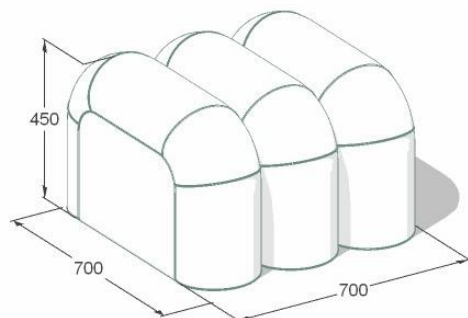


## DATUM lounge section:

1400 W x 745 D @ 450/800mm H  
Plywood frame, commercial grade foam  
Connecting brackets to both sides  
Complete with 4 concealed adjustable glides

## Upholstery:

Option 1: Kvadrat Arda range  
Option 2: to client specification, must have good stretch and thickness

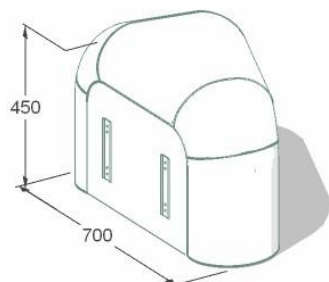


## DATUM ottoman:

700 W x 700 D @ 450mm H  
Plywood frame, commercial grade foam  
Optional connecting brackets to one or both sides  
Complete with 4 concealed adjustable glides

## Upholstery:

Option 1: Kvadrat Arda range  
Option 2: to client specification, must have good stretch and thickness



## DATUM 22.5 degree run rotation section:

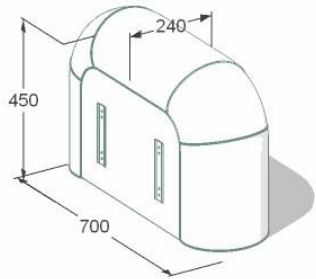
240/420 W x 700 D @ 450mm H  
Plywood frame, commercial grade foam  
Connecting brackets to both sides  
Complete with 2 concealed adjustable glides

## Upholstery:

Option 1: Kvadrat Arda range  
Option 2: to client specification, must have good stretch and thickness

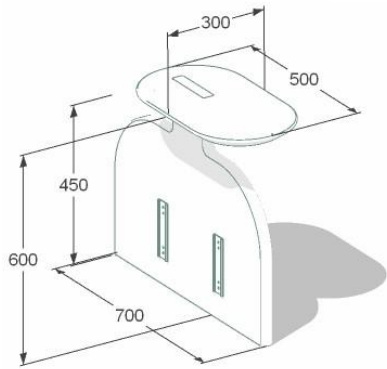


# Product tear sheet



DATUM end of run section:  
240W x 700 D @ 450mm H  
Plywood frame, commercial grade foam  
Connecting brackets to one side  
Complete with 2 concealed adjustable glides

Upholstery:  
Option 1: Kvadrat Arda range  
Option 2: to client specification, must have good stretch and thickness



DATUM table section:  
700W x 300 D @ 600mm H  
Solid timber construction, rounded shark nose edge detail to top  
Connecting brackets to one or both sides

Finish:  
Option 1: American Oak, matt finish  
Option 2: to client specification

