

Product tear sheet



COOP

Environmentally conscious rack system which uses timber and steel manufacturing biproducts.

MTO only

Lead time: 5-6 weeks
Origin: timber NSW, steel components NSW

Finish

Dulux or Interpon standard powder coat color to steel shelves, feet and 3-way joiners
Victorian Ash timber, natural finish. Black stained and whitewashed finish to timber also is available at additional cost

Available as a supply and fit item or supply only

Call: [0410528300](tel:0410528300)

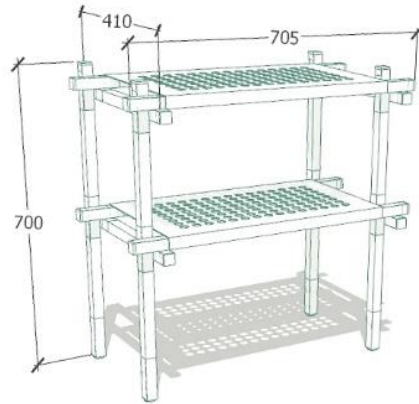
Visit: [380 Princess Highway, St. Peters, NSW 2044](https://www.klarodesign.com.au)

Email: alona@klarodesign.com.au

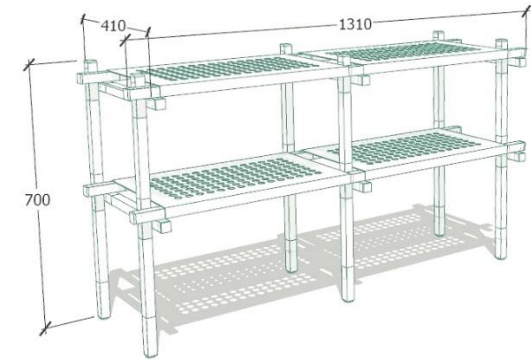


Product tear sheet

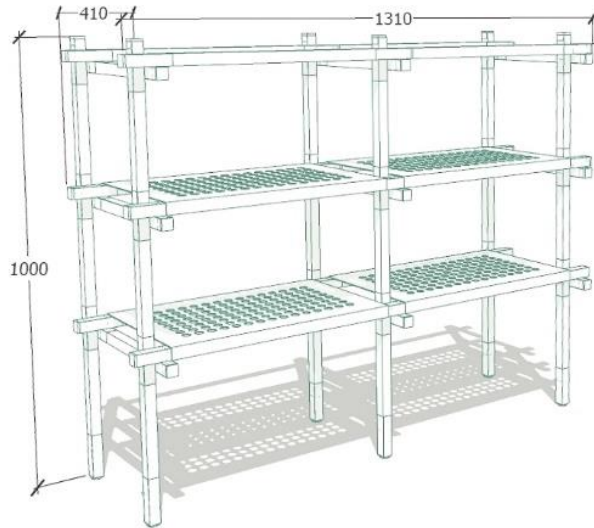
COOP
2 tier 1st bank
2 shelves
700H x 705W x 410D



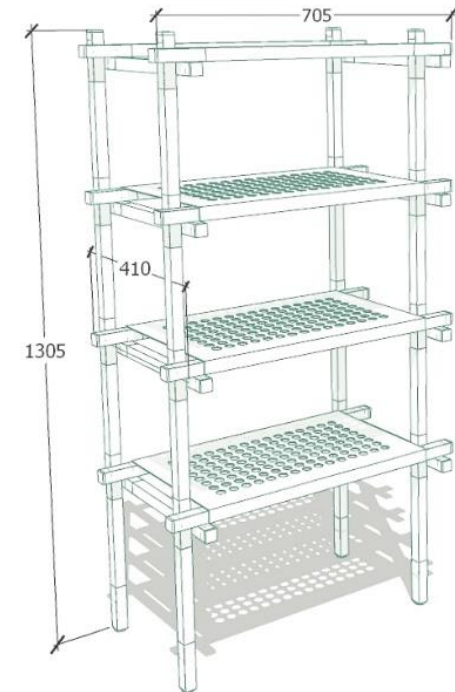
COOP
2 tier x 2 bank
4 shelves
700H x 1310W x 410D



COOP
3 tier x 2 bank
4 shelves
1000H x 1310W x 410D

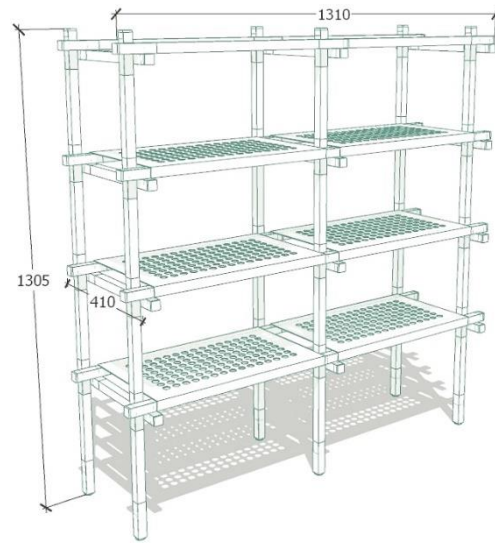


COOP
4 tier x 1 bank
3 shelves
1305H x 705W x 410D

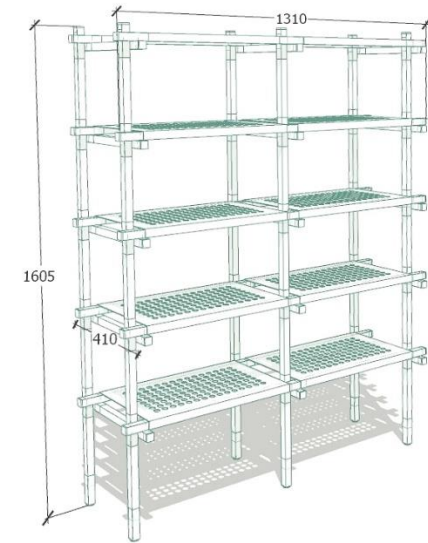


Product tear sheet

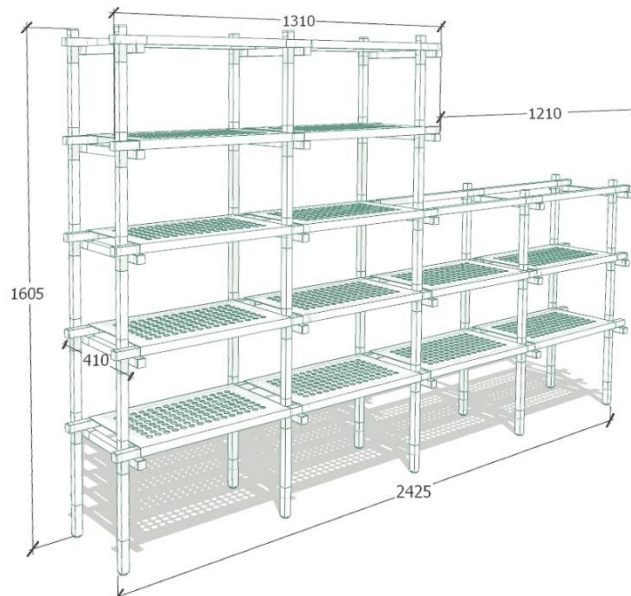
COOP
4 tier x 2 bank
6 shelves
1305H x 1310W x 410D



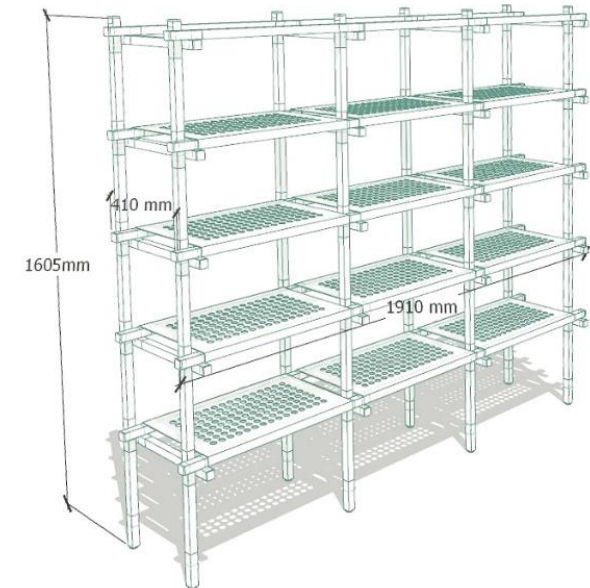
COOP
5 tier x 2 bank
8 shelves
1605H x 1310W x 410D



COOP
5 tier x 2 bank + 3 tier x 2
bank
12 shelves
1605H x 2425W x 410D

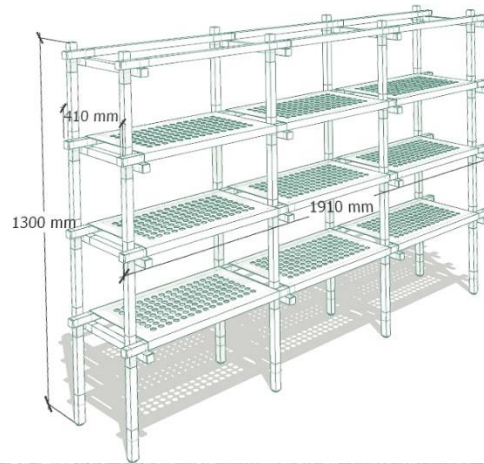


COOP
5 tier x 3 bank
12 shelves
1605H x 1910W x 410D



Product tear sheet

COOP
4 tier x 3 bank
9 shelves
1300H x 1910W x 410D



COOP
3 tier x 3 bank
6 shelves
1000H x 1910W x 410D

