

Product tear sheet

BASIX seating and storage range

Lead time: 4-5 weeks

Origin: NSW, feet made in Taiwan



Strict geometry framed by black piping underpins utilitarian visual language, where function is delivered without much fuss.

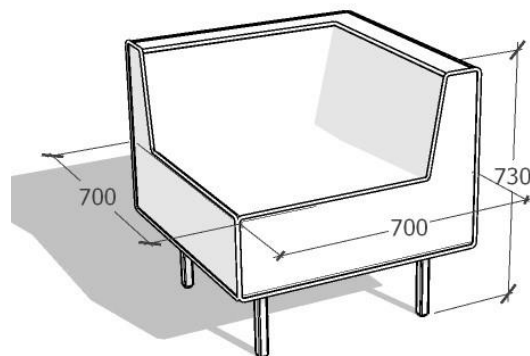
The use of fabric on the door panels seeks to introduce a texture and pattern, after all - ones walk to and from their desk does not have to be a dull experience.



Product tear sheet

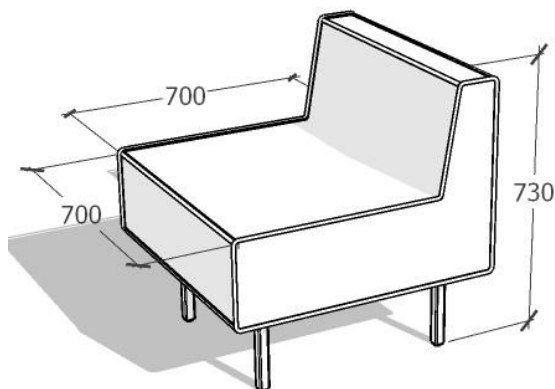
CORNER CHAIR

MDF construction with mild steel powder coated legs
Commercial grade foam.
Upholstery: as specified.



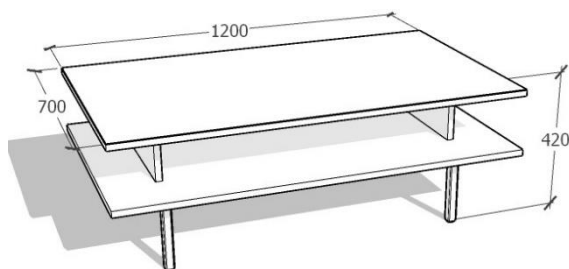
CHAIR

MDF construction with mild steel powder coated legs
Commercial grade foam.
Upholstery: as specified.



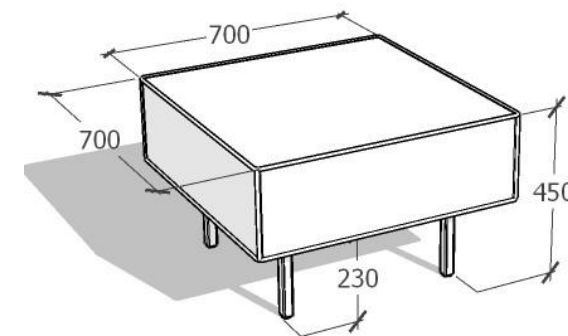
MAGAZINE TABLE

Laminex core commercial melamine range,
Polytec Ravine or Woodmatt range,
Extended Polytec or Laminex laminate ranges,
Painted MDF or plywood with polyurethane finish
top options with mild steel powder coated legs



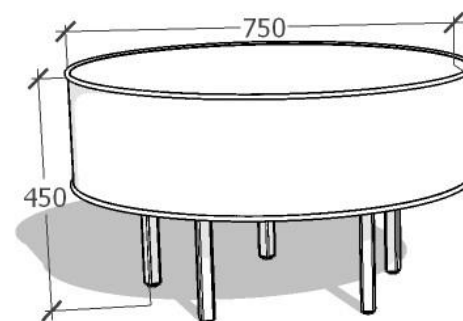
OTTOMAN

MDF construction with mild steel powder coated legs
Commercial grade foam.
Upholstery: as specified.



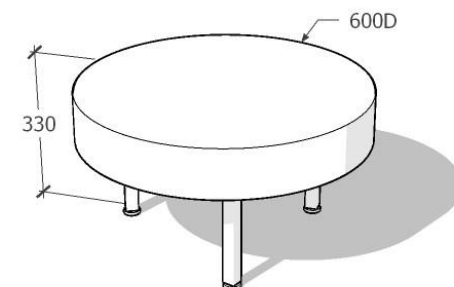
ROUND OTTOMAN

MDF construction with mild steel powder coated legs
Commercial grade foam.
Upholstery: as specified



COFFEE TABLE

Extended Polytec or Laminex laminate ranges,
Painted MDF or veneer, polyurethane finished
top options with mild steel powder coated legs



Product tear sheet

STORAGE CABINET

Laminex core commercial
melamine range construction
with upholstered doors as
specified
mild steel powder coated
legs

Also available in Polytec
Ravine or Woodmatt ranges,
Extended Polytec or
Laminex laminate ranges,
Painted MDF or plywood
with polyurethane finish.
Available in sets of two

